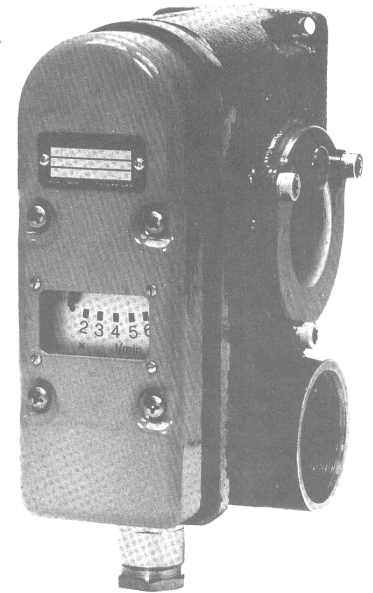
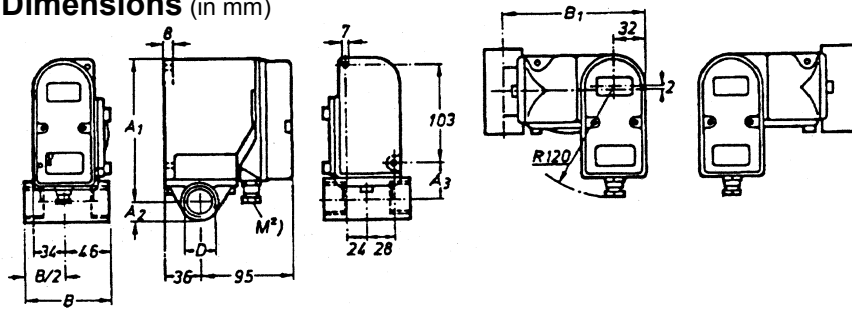


Flow indicator

TIVG 15R ... 40R with one switch



Dimensions (in mm)



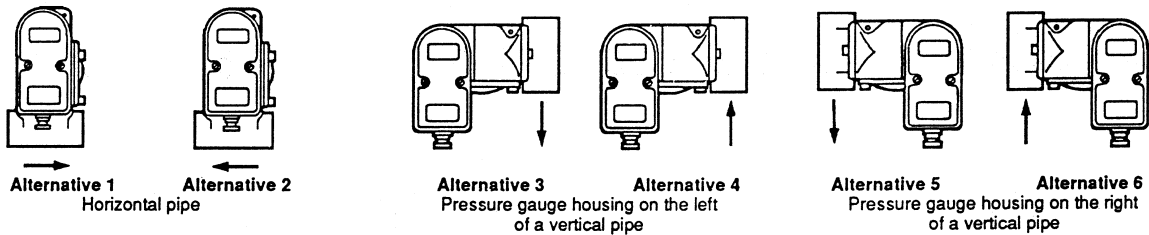
Type TIVG	ISO 65 ¹⁾ Nominal bore DN mm	Pipe thread D	Dimensions				
			A1	A2	A3	B	B1
15 R	15	R 1/2"	140	14	30	70	140
25 R	25	R 1"	146	21	37	90	146
40 R	40	R 1 1/2"	153	28	44	90	153

¹⁾ Corresponds to DIN 2440, SMS 326.

²⁾ M= Cable gland Pr 18,6.

Other technical information will
found in Catalogue SK 66-1 E.

Mounting alternative



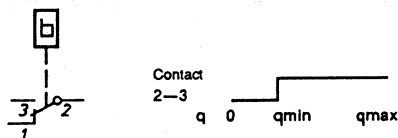
Ordering information

Type TIVG	For liquid type	Nominal working range l/min	Maximum measuring range l/min	Scale constant	Cat.No.	Weight kg
15 R	Water and oil	0,25- 0,5	0,2- 0,6	0,1	SK 661 0020	3,4
		0,5 - 1,0	0,4- 1,2	0,2	0021	3,4
		1,0 - 2,0	0,8- 2,4	0,4	0022	3,4
		2,0 - 4,0	1,6- 4,8	0,8	0023	3,4
		4,0 - 7,5	3,0- 9,0	1,5	0024	3,4
		6,5 - 12,5	5,0- 15,0	2,5	0025	3,4
		12,5 - 25,0	10,0- 30,0	5,0	0026	3,4
25 R-1	Water	20 - 40	16 - 48	8	SK 661 0027	3,7
25 R-2	Oil	20 - 40	16 - 48	8	0028	3,7
25 R-3	Water	30 - 60	24 - 72	12	SK 661 0029	3,7
25 R-4	Oil	30 - 60	24 - 72	12	0030	3,7
25 R-5	Water	50 -100	40 -120	20	SK 661 0031	3,7
25 R-6	Oil	50 -100	40 -120	20	0032	3,7
40 R-1	Water	50 -100	40 -120	20	SK 661 0033	3,8
40 R-2	Oil	50 -100	40 -120	20	0034	3,8
40 R-3	Water	90 -175	70 -210	35	SK 661 0035	3,8
40 R-4	Oil	90 -175	70 -210	35	0036	3,8

Diagram

Difference between change-over and return is
approx. one scale division.

Change-over from readings 2 to 5. Set at
reading 3 when supplied



When ordering, state the Cat. No. and mounting
alternative

Example: SK 661 0020, alt. 1

ELETTA

ELETTA FLOW AB
BOX 5084, S-141 05 HUDDINGE, SWEDEN
TELEPHONE +46 8 603 07 70
TELEFAX +46 8 646 10 40