

# Gewichte und Maße



| D, V- GL |        |      |      |      |      |          |
|----------|--------|------|------|------|------|----------|
| Type     | D      | A mm | B mm | C mm | E mm | Gewicht* |
| -GL15    | 1/2"   | 75   | 150  | 30   | 80   | 3,0      |
| -GL20    | 3/4    | 75   | 150  | 30   | 80   | 3,0      |
| -GL25    | 1"     | 75   | 150  | 30   | 80   | 3,0      |
| -GL40    | 1 1/2" | 85   | 160  | 40   | 90   | 4,0      |

| D, V- FA |             |      |      |          |          |
|----------|-------------|------|------|----------|----------|
| Type     | d mm        | D mm | A mm | Width mm | Gewicht* |
| -FA15    | 16 (1/2")   | 53   | 150  | 70       | 4,0      |
| -FA20    | 22 (3/4")   | 63   | 154  | 70       | 4,5      |
| -FA25    | 30 (1")     | 73   | 161  | 70       | 4,5      |
| -FA32    | 39 (1 1/4") | 84   | 167  | 70       | 5,0      |
| -FA40    | 43 (1 1/2") | 94   | 172  | 70       | 6,0      |
| -FA50    | 55 (2")     | 109  | 180  | 70       | 6,0      |
| -FA65    | 70 (2 1/2") | 129  | 190  | 70       | 7,0      |
| -FA80    | 82 (3")     | 144  | 197  | 70       | 8,0      |
| -FA100   | 107 (4")    | 164  | 207  | 70       | 8,0      |
| -FA125   | 132 (5")    | 194  | 222  | 70       | 10,0     |
| -FA150   | 159 (6")    | 219  | 235  | 70       | 11,0     |
| -FA200   | 207 (8")    | 274  | 263  | 70       | 15,0     |
| -FA250   | 260 (10")   | 330  | 290  | 70       | 19,0     |
| -FA300   | 310 (12")   | 385  | 320  | 70       | 21,0     |
| -FA350   | 340 (14")   | 445  | 345  | 70       | 35,0     |
| -FA400   | 390 (16")   | 498  | 375  | 70       | 40,5     |

| D, V- GSS |      |      |      |      |          |
|-----------|------|------|------|------|----------|
| Type      | D    | A mm | B mm | C mm | Gewicht* |
| -GSS15    | 1/2" | 100  | 130  | 35   | 3,0      |
| -GSS20    | 3/4" | 100  | 130  | 35   | 3,0      |
| -GSS25    | 1"   | 100  | 130  | 35   | 3,0      |

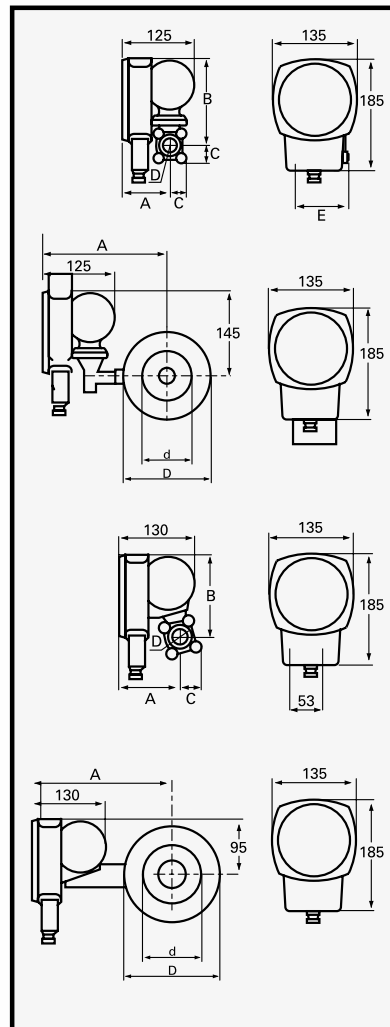
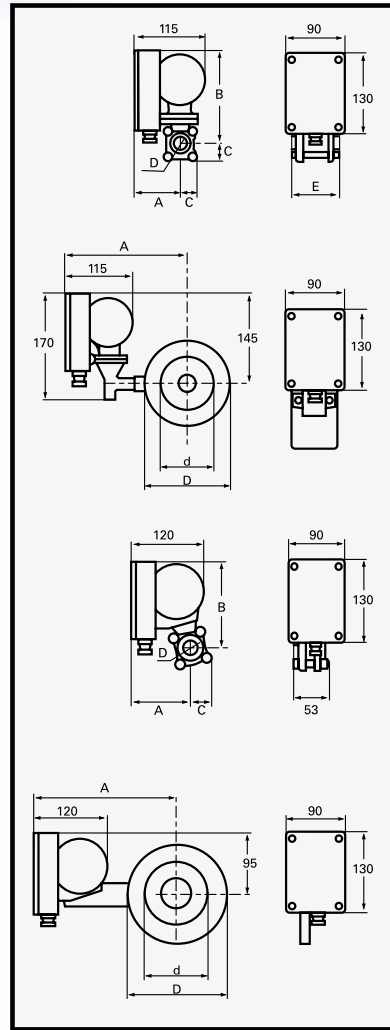
| D, V- FSS |             |      |      |          |          |
|-----------|-------------|------|------|----------|----------|
| Type      | d mm        | D mm | A mm | Width mm | Gewicht* |
| -FSS15    | 16 (1/2")   | 53   | 169  | 15       | 3,0      |
| -FSS20    | 22 (3/4")   | 63   | 175  | 15       | 3,0      |
| -FSS25    | 30 (1")     | 73   | 183  | 15       | 3,0      |
| -FSS32    | 39 (1 1/4") | 84   | 185  | 15       | 3,0      |
| -FSS40    | 43 (1 1/2") | 94   | 190  | 15       | 3,0      |
| -FSS50    | 55 (2")     | 109  | 210  | 15       | 3,0      |
| -FSS65    | 70 (2 1/2") | 129  | 220  | 15       | 3,5      |
| -FSS80    | 82 (3")     | 144  | 228  | 15       | 3,5      |
| -FSS100   | 107 (4")    | 164  | 238  | 15       | 4,0      |
| -FSS125   | 132 (5")    | 194  | 253  | 15       | 4,5      |
| -FSS150   | 159 (6")    | 219  | 266  | 15       | 5,0      |
| -FSS200   | 207 (8")    | 274  | 293  | 15       | 6,5      |
| -FSS250   | 260 (10")   | 330  | 320  | 15       | 8,0      |
| -FSS300   | 310 (12")   | 385  | 350  | 15       | 9,5      |
| -FSS350   | 340 (14")   | 445  | 375  | 18       | 14,5     |
| -FSS400   | 390 (16")   | 498  | 405  | 18       | 16,5     |

| S- GL |        |      |      |      |      |          |
|-------|--------|------|------|------|------|----------|
| Type  | D      | A mm | B mm | C mm | E mm | Gewicht* |
| -GL15 | 1/2"   | 85   | 150  | 30   | 80   | 3,5      |
| -GL20 | 3/4    | 85   | 150  | 30   | 80   | 3,5      |
| -GL25 | 1"     | 85   | 150  | 30   | 80   | 3,5      |
| -GL40 | 1 1/2" | 95   | 160  | 40   | 90   | 4,5      |

| S- FA  |             |      |      |          |          |
|--------|-------------|------|------|----------|----------|
| Type   | d mm        | D mm | A mm | Width mm | Gewicht* |
| -FA15  | 16 (1/2")   | 53   | 160  | 70       | 4,5      |
| -FA20  | 22 (3/4")   | 63   | 164  | 70       | 5,0      |
| -FA25  | 30 (1")     | 73   | 171  | 70       | 5,0      |
| -FA32  | 39 (1 1/4") | 84   | 177  | 70       | 5,5      |
| -FA40  | 43 (1 1/2") | 94   | 182  | 70       | 6,5      |
| -FA50  | 55 (2")     | 109  | 190  | 70       | 6,5      |
| -FA65  | 70 (2 1/2") | 129  | 200  | 70       | 7,5      |
| -FA80  | 82 (3")     | 144  | 207  | 70       | 8,0      |
| -FA100 | 107 (4")    | 164  | 217  | 70       | 9,0      |
| -FA125 | 132 (5")    | 194  | 232  | 70       | 11,0     |
| -FA150 | 159 (6")    | 219  | 245  | 70       | 11,0     |
| -FA200 | 207 (8")    | 274  | 273  | 70       | 15,5     |
| -FA250 | 260 (10")   | 330  | 300  | 70       | 19,0     |
| -FA300 | 310 (12")   | 385  | 330  | 70       | 22,0     |
| -FA350 | 340 (14")   | 445  | 355  | 70       | 35,5     |
| -FA400 | 390 (16")   | 498  | 385  | 70       | 41,0     |

| S- GSS |      |      |      |      |          |
|--------|------|------|------|------|----------|
| Type   | D    | A mm | B mm | C mm | Gewicht* |
| -GSS15 | 1/2" | 110  | 130  | 35   | 3,0      |
| -GSS20 | 3/4" | 110  | 130  | 35   | 3,0      |
| -GSS25 | 1"   | 110  | 130  | 35   | 3,0      |

| S- FSS  |             |      |      |          |          |
|---------|-------------|------|------|----------|----------|
| Type    | d mm        | D mm | A mm | Width mm | Gewicht* |
| -FSS15  | 16 (1/2")   | 53   | 179  | 15       | 3,0      |
| -FSS20  | 22 (3/4")   | 63   | 185  | 15       | 3,0      |
| -FSS25  | 30 (1")     | 73   | 193  | 15       | 3,5      |
| -FSS32  | 39 (1 1/4") | 84   | 200  | 15       | 3,5      |
| -FSS40  | 43 (1 1/2") | 94   | 205  | 15       | 3,5      |
| -FSS50  | 55 (2")     | 109  | 220  | 15       | 4,0      |
| -FSS65  | 70 (2 1/2") | 129  | 230  | 15       | 4,0      |
| -FSS80  | 82 (3")     | 144  | 238  | 15       | 4,0      |
| -FSS100 | 107 (4")    | 164  | 248  | 15       | 4,5      |
| -FSS125 | 132 (5")    | 194  | 263  | 15       | 5,0      |
| -FSS150 | 159 (6")    | 219  | 276  | 15       | 5,5      |
| -FSS200 | 207 (8")    | 274  | 303  | 15       | 7,0      |
| -FSS250 | 260 (10")   | 330  | 330  | 15       | 9,0      |
| -FSS300 | 310 (12")   | 385  | 355  | 15       | 10,0     |
| -FSS350 | 340 (14")   | 445  | 385  | 18       | 15,0     |
| -FSS400 | 390 (16")   | 498  | 415  | 18       | 17,0     |



Gewichte in der Tabelle sind ca. Angaben